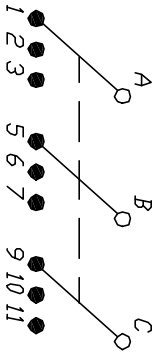
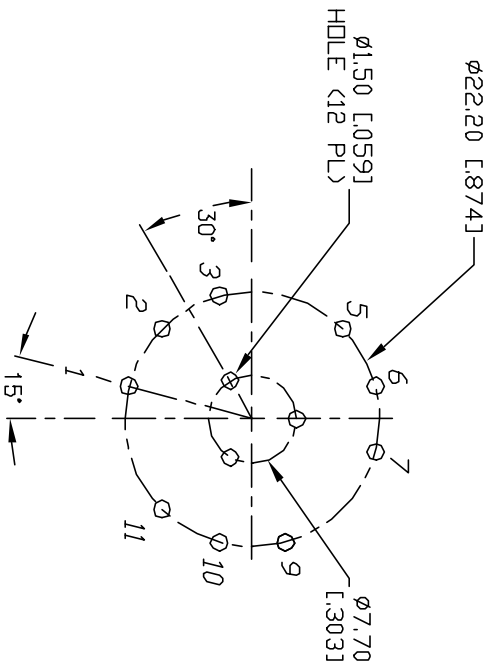


NOTES:

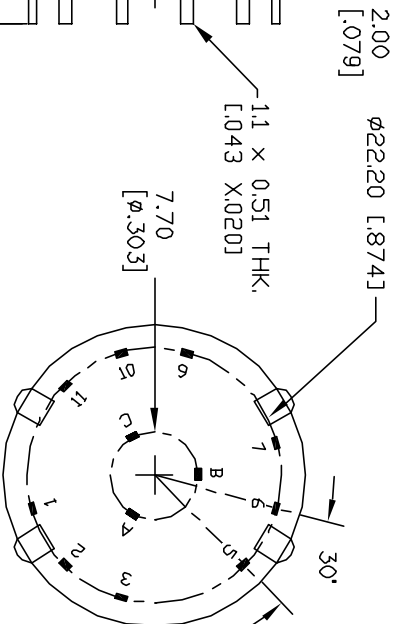
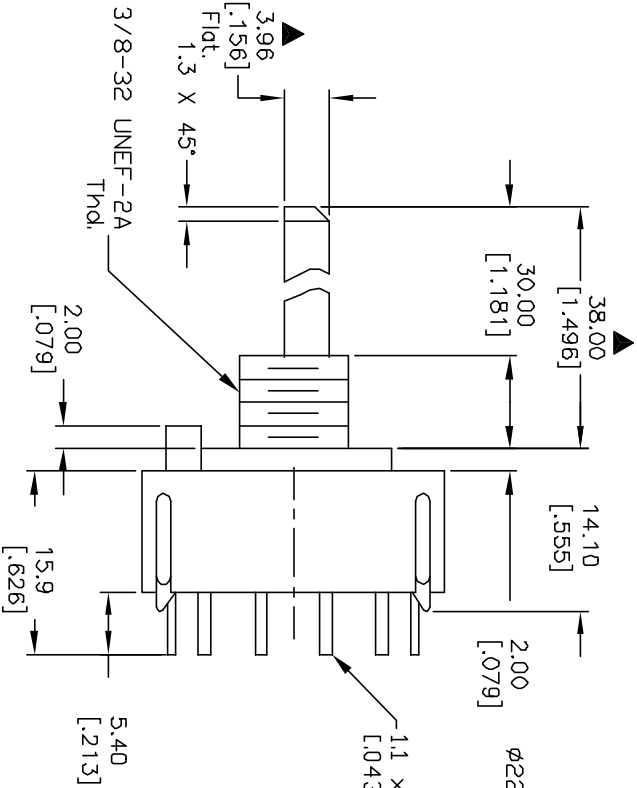
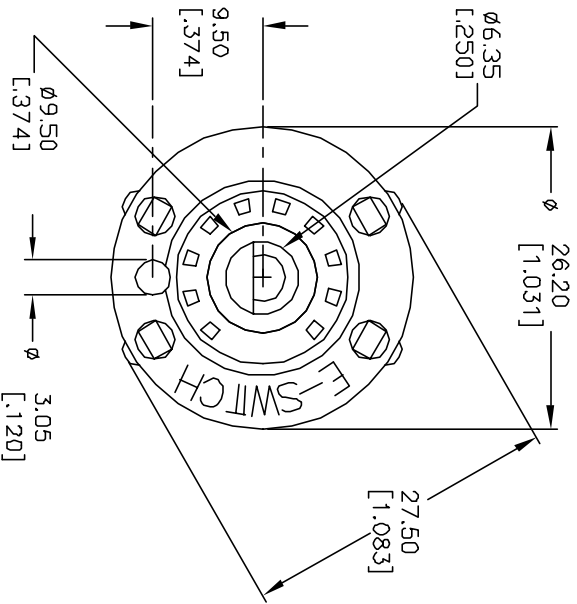
1. ALL DIMENSION IN MM [INCH]
2. GENERAL TOLERANCE: X.X=±0.4
X.XX=±0.25
3. TERM. NOS. FOR REF. ONLY
4. CONTACT RATING SWITCHING: 150mA, 250V AC/DC
350mA, 110V AC/DC
5. CONTACT RATING (NON-SWITCHING) 5A
6. OPERATING FORCE: 425±100 CM/STANDARD
7. OPERATING TEMP: -30° to 85°C
- ▲ 8. CIRCUIT 3Pole: 3 POSITIONS, 30° INDEX.
- ▲ 9. DIELECTRIC STRENGTH 1000V RMS min. @ SEA LEVEL
- ▲ 10. DESIGNATE MAJOR DIMENSIONS
11. STOP RING, LOCK NUT AND WASHER NOT SHOWN.



CONTACT CONFIGURATION



RECOMMENDED P.C.B. LAYOUT



E-SWITCH®

REV. A		11278		RELEASED FOR PRODUCTION		5/29/01		CJB	
REV.		ECN No.		DESCRIPTION		DATE		CHKD	
TITLE: KC-33-C-01 (Simpson 06-115486) SCALE: 1.5:1 DATE: 5/29/01 DR: CJB DWG: G510701 REV: A									
THE INFORMATION CONTAINED IN THIS DOCUMENT IS PROPRIETARY TO E-SWITCH AND IS NOT TO BE COPIED OR TRANSFERRED									